



WELVET 81004

TOOL BOX 600 mm



External dimensions (mm): 630x450x480
Weight (kg): 8.0
Optimal load (kg): 60
Capacity (lt): 77.5

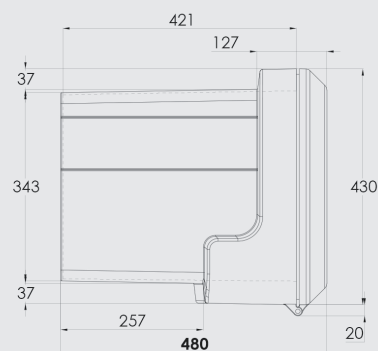
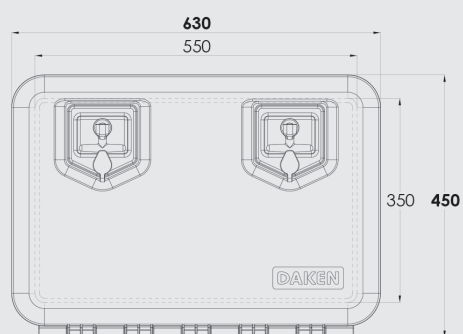
Quantity per pallet (n°): 20
Pallets dimensions (cm): 129x95x266
Pallet Weight (kg): 190

TECHNICAL FEATURES

Material: polypropylene
Production Process: Injection Molding
Label with company logo

COMPONENTS

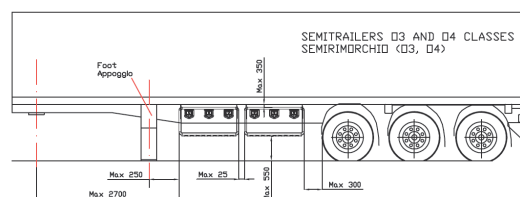
- Nylon handle
- EPDM seal
- Europlex lock (European Patent EP 1442845)



TEST AND CERTIFICATIONS

- **FEM method:** Result of the test load resistance conducted with simulation software
Applied load: 1500 N
Tensione max (stress): 18.30 MPa, (Limite Von Mises 22 MPa)
max deformation: 21.52 mm
Optimal load: 600 N

- **IP TEST** (TÜV Rheinland 7/2012)



- **TÜV RHEINLAND** or side protection (conformity to EU Directives 89/297 / EEC and ECE Reg. N. 73)

PRODUCT FEATURES

- 1 Europlex lock with cylinder
- 2 Compression locking system with rubber seal
- 3 The continuous contact points between body and lid
- 4 The Reinforced body guarantees maximum load avoiding "U" bracket mounting
- 5 Smooth internal surface
- 6 reinforced lid



OPTIONALS

VERTICAL BRACKETS: 88120, 88020, 88220
HORIZONTAL BRACKETS: 88130, 88230, 88030

SPARE PARTS: 89010, 89501, 89503, 89502
OPTIONS: Resin label, Serigraphed logo, shelves, gas spring, chain