



WELVET 81002

TOOL BOX 500 mm



External dimensions (mm): 480x400x400
Weight (kg): 5.0
Optimal load (kg): 50
Capacity (lt): 39

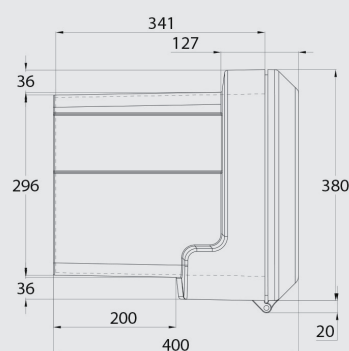
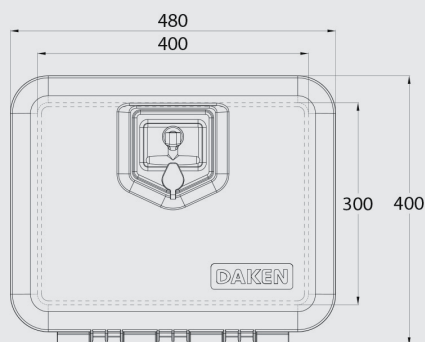
Quantity per pallet (n°): 36
Pallets dimensions (cm): 127x100x270
Pallet Weight (kg): 215

TECHNICAL FEATURES

Material: polypropylene
Production Process: Injection Molding
Label with company logo

COMPONENTS

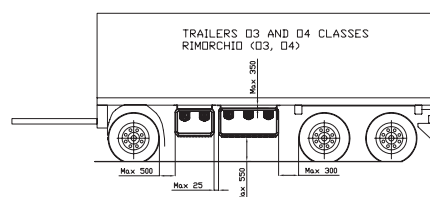
- Nylon handle
- EPDM seal
- Europlex lock (European Patent EP 1442845)



TEST AND CERTIFICATIONS

- **FEM method:** Result of the test load resistance conducted with simulation software
Applied load: 1500 N
Tensione max (stress): 19.50 MPa, (Limite Von Mises 22 MPa)
max deformation: 11.90 mm
Optimal load: 500 N

- **IP TEST** (TÜV Rheinland 7/2012)



- **TÜV RHEINLAND** or side protection (conformity to EU Directives 89/297 / EEC and ECE Reg. N. 73)

PRODUCT FEATURES

- 1 Europlex lock with cylinder
- 2 Compression locking system with rubber seal
- 3 The continuous contact points between body and lid
- 4 The Reinforced body guarantees maximum load avoiding "U" bracket mounting
- 5 Smooth internal surface
- 6 reinforced lid



OPTIONALS

VERTICAL BRACKETS: 88100, 88000
HORIZONTAL BRACKETS: 88110, 88210, 88010

SPARE PARTS: 89010, 89501, 89503, 89502
Options: Resin label, gas springs, chain