



# WELVET 81009

TOOL BOX 1250 mm



**External dimensions (mm):** 1250x524x500

**Weight (kg):** 15.50

**Optimal load with vertical and horizontal brackets (kg):** 75

**Optimal load with U-brackets (kg):** 115

**Capacity (lt):** 190

**Quantity per pallet (n°):** 8

**Pallets dimensions (cm):** 126x108x225

**Pallet Weight (kg):** 144

## TECHNICAL FEATURES

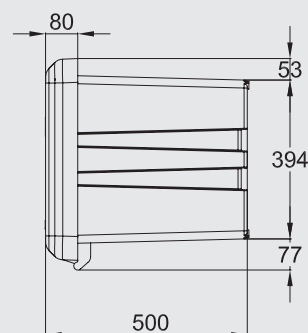
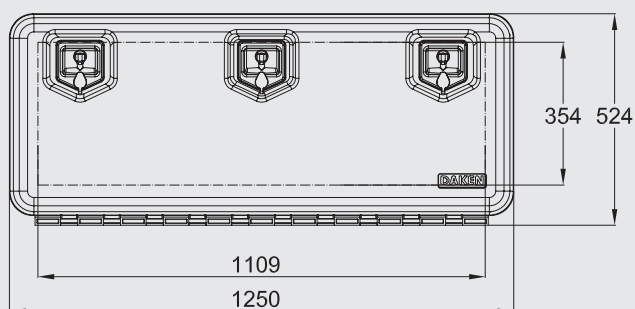
**Material:** polypropylene

**Production process:** Injection Molding

Label with company logo

## COMPONENTS

- Nylon handle
- EPDM seal
- Europlex lock (European Patent EP 1442845)



## PRODUCT FEATURES

- 1 Europlex lock with cylinder
- 2 The Innovative compression locking system with a hook guarantees perfect cohesion between body and lid
- 3 Body-lid fixing system with 10 contact points which guarantees fast assembling and reliability in everyday use
- 4 Body with reinforcement ribs
- 5 Reinforced lid
- 6 Available with internal shelves



## OPTIONALS

**VERTICAL BRACKETS:** 88020,88120,88220

**HORIZONTAL BRACKETS:** 88030,88130,88230

**U-BRACKETS** (to combine with vertical or horizontal brackets): 88050, 88051

**SPARE PARTS:** 89010, 89501, 89503

**OPTIONS:** Resin label, Serigraphed logo, Shelves