



# WELVET 81008

TOOL BOX 1000 mm



**External dimensions (mm):** 1030x500x455

**Weight (kg):** 13.0

**Optimal load (kg):** 70

**Capacity (lt):** 154

**Quantity per pallet (n°):** 10

**Pallets dimensions (cm):** 105x105x252

**Pallet Weight (kg):** 155

## TECHNICAL FEATURES

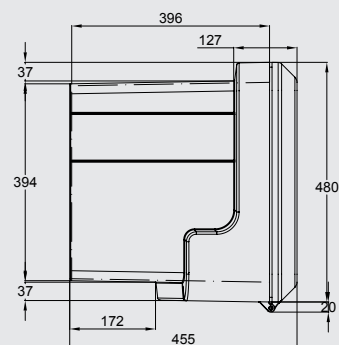
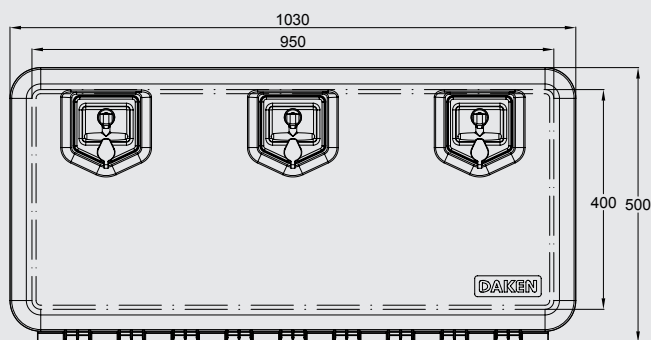
**Material:** polypropylene

**Production Process:** Injection Molding

Label with company logo

## COMPONENTS

- Nylon handle
- EPDM seal
- Europlex lock (European Patent EP 1442845)



## TEST AND CERTIFICATIONS

- **FEM method:** Result of the test load resistance conducted with simulation software

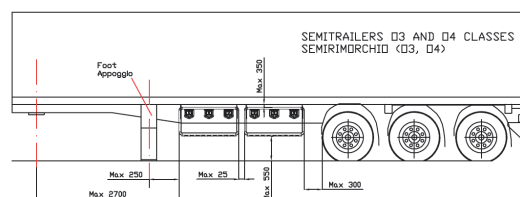
Applied load: 1600 N

Tensione max (stress): 12.89 MPa, (Limite Von Mises 22 MPa)

max deformation: 11.90 mm

Optimal load: 650 N

- **IP TEST** (TÜV Rheinland 7/2012)



- **TÜV RHEINLAND** or side protection (conformity to EU Directives 89/297 / EEC and ECE Reg. N. 73)

## PRODUCT FEATURES

- 1 Europlex lock with cylinder
- 2 Compression locking system with rubber seal
- 3 The continuous contact points between body and lid
- 4 The Reinforced body guarantees maximum load avoiding "U" bracket mounting
- 5 Smooth internal surface
- 6 reinforced lid



## OPTIONALS

**VERTICAL BRACKETS:** 88120, 88020, 88220

**HORIZONTAL BRACKETS:** 88130, 88230, 88030

**SPARE PARTS:** 89010, 89501, 89503, 89502

**OPTIONS:** Resin label, Serigraphed logo, shelves, gas spring, chain